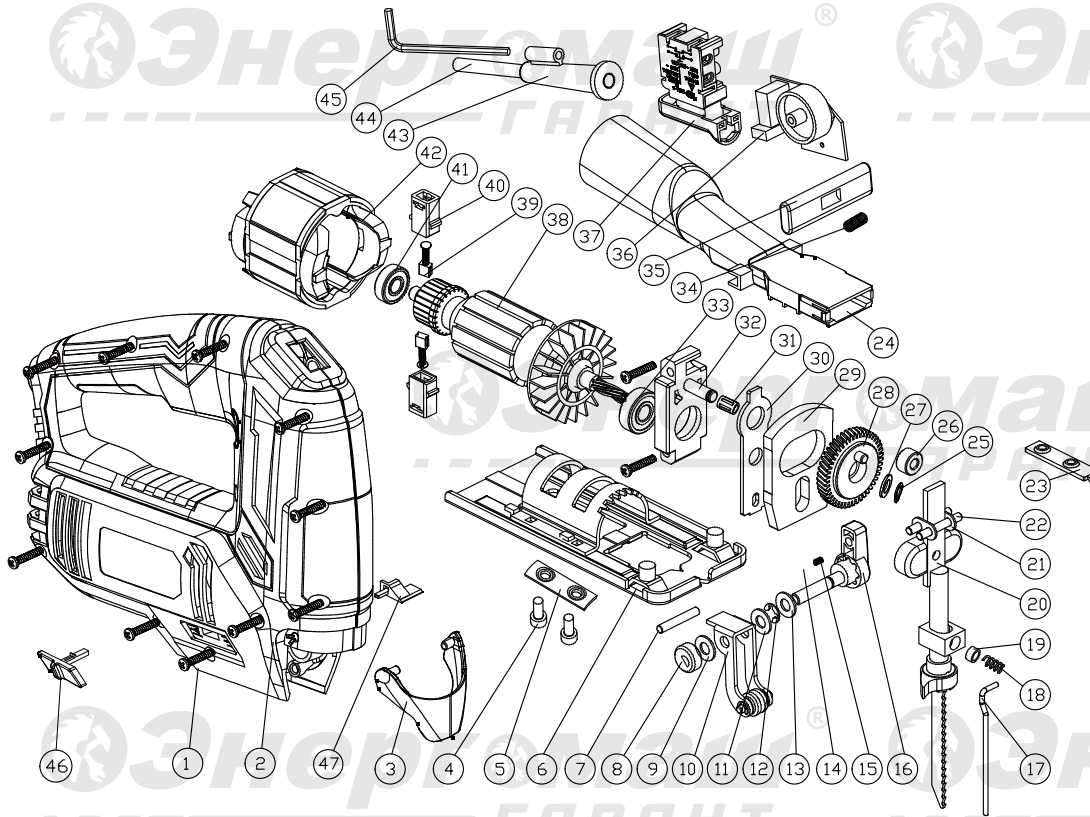


ЛБ1-850



NO.	DESCRIPTION	NO.	DESCRIPTION
1	SCREW ST3.9X17	28	BIG GEAR
2	HOUSING	29	BALANCE BLOCK
3	GUARD	30	PENDULUM BOARD
4	SCREW M5X12	31	NEEDLE BEARING 6X9X13
5	PRESS BOARD	32	BEARING HOLDER
6	BASE	33	BEARING 608Z
7	PIN 4X24	34	SPRING
8	CAP	35	SWITCH POLE
9	WASHER 6.4X11X0.5	36	PCB
10	SAW BLADE HOLDER	37	SWITCH
11	WASHER 6.4X11X0.5	38	ROTOR
12	CIRCLIP 6	39	CARBON BRUSH
13	PENDULUM KNOB WASHER	40	BRUSH HOLDER
14	STEEL BALL 4.0	41	BEARING 607Z
15	PENDULUM KNOB SPRING	42	STATOR
16	PENDULUM KNOB	43	CABLE SLEEVE
17	STEEL WIRE	44	CABLE
18	SPRING	45	ALLEN KEY M3
19	SPRING BUSH	46	BLOW DUST SWITCH
20	RECIPROCATING ROD	47	BLOW BOARD
21	RECIPROCATING ROD WASHER		
22	PIN4X28		
23	FIX BOARD		
24	DUST TUBE		
25	CIRCLIP 6		
26	ROLLER		
27	GEAR WASHER		